

Round Rocker

## Specifications

Switch Function	SPST, SPDT	Contact Resistance	≤ 50mΩ initial
Electrical Ratings	UL 61058-1	Dielectric Strength	1500Vrms min
	15A @ 125VAC General Purpose	Insulation Resistance	≥ 100MΩ min
	10A @ 250VAC General Purpose	Operating Temperature	-40°C to +105°C
Electrical Life	10,000 cycles typical	Storage Temperature	-40°C to +105°C
		Sealing Degree	IP40

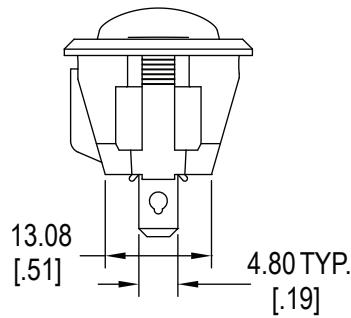
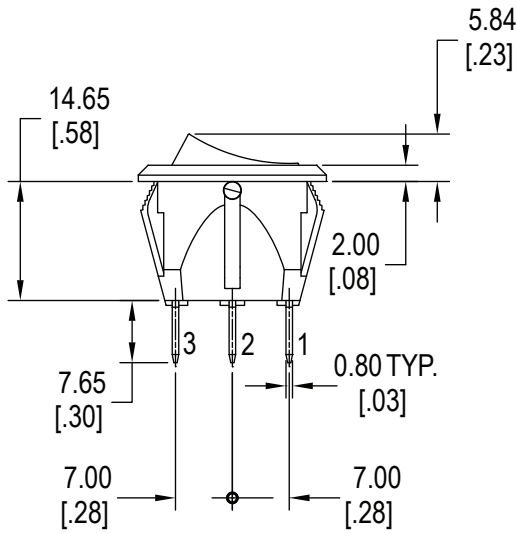
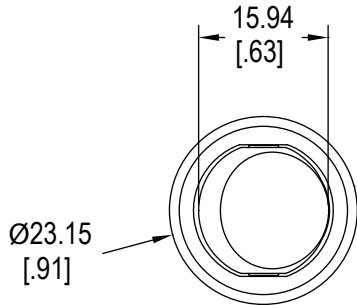
## Materials

Actuator	6/6 Nylon
Housing	6/6 Nylon
Actuator Lens	6/6 Nylon
Contacts	Silver Alloy
Terminals	Brass, Silver Plated

## Ordering Information

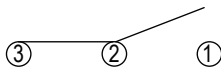
1. Series	RR1	1	1	2	2	B	W	C
RR1								
2. Number of Poles 1 = Single Pole								
3. Switch Function 1 = OFF - ON 4 = ON - ON 6 = ON - OFF - ON								
4. Housing Color 1 = White 2 = Black 9 = Gray								
5. Actuator Color 1 = White    4 = Yellow    7 = Blue 2 = Black    5 = Green    8 = Purple 3 = Red    6 = Orange    9 = Gray								
6. Actuator Marking A            D            G            J B            E            H            K C            F            I								
7. Actuator Marking Color Blank = No marking B = Black W = White R = Red								
8. Terminal Options C = .187" Quick Connect / Solder Lug								

**Dimensions**



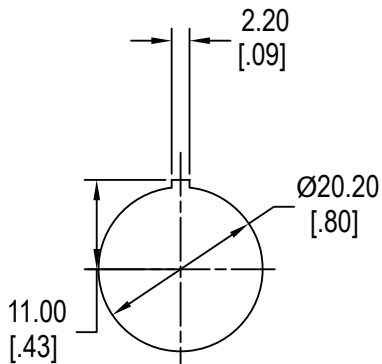
Function	Position 1	Position 2	Position 3
1	OFF	NONE	ON
Terminals	—	—	2~1
4	ON	NONE	ON
6	ON	OFF	ON
Terminals	2~3	—	2~1

**Schematics**

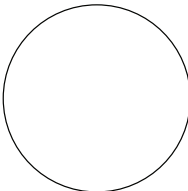
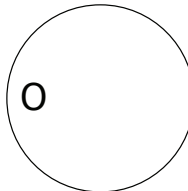
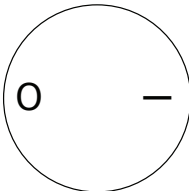
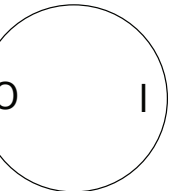
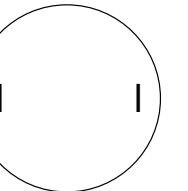
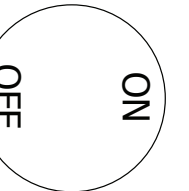
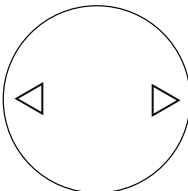
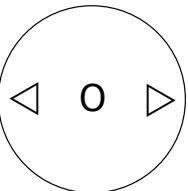
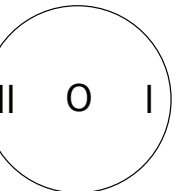
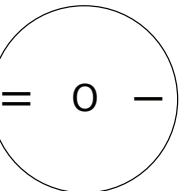
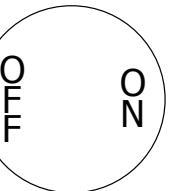


**Panel Cut Out**

Panel cut out material thickness : 0.8mm ~ 3.0mm



### Actuator Marking Options

<p>A Marking</p> 	<p>B Marking</p> 	<p>C Marking</p> 	<p>D Marking</p> 	<p>E Marking</p> 	<p>F Marking</p> 
<p>G Marking</p> 	<p>H Marking</p> 	<p>I Marking</p> 	<p>J Marking</p> 	<p>K Marking</p> 	

### Terminal Options

